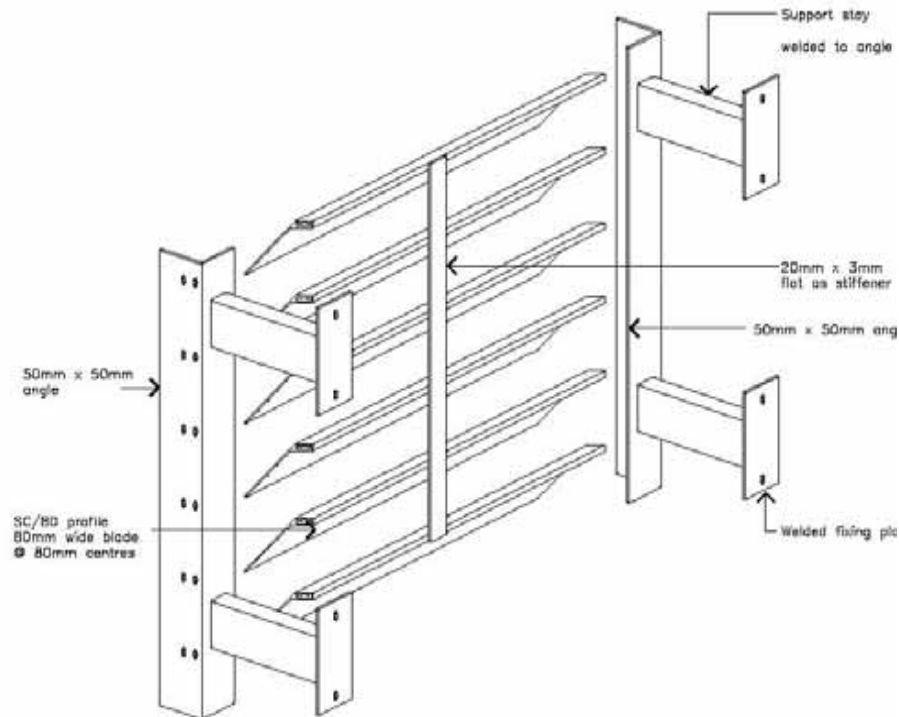


SC/80- Angle Frame - Support Stay

NOTES : Need 20 x 3mm stiffener every 1000mm



SC/80 - Angle Frame - Box Support Stay

NOTES : 20mm x 3mm stiffener every 1000mm

Shutter Concepts Pty Ltd
 The Home of Rollashield®
 BUILDERS LIC. 709324 ABN 20 069 552 147
 38 Pritchard Street, Lytton QLD 4178
 PO Box 83 Wynnum, Qld 4178
 Phn: 07 3393 3355 Fax: 07 3893 3515
 www.shutterconcepts.com.au email: info@shutterconcepts.com.au

SC/80-03

Shutter Concepts Pty Ltd
 The Home of Rollashield®
 BUILDERS LIC. 709324 ABN 20 069 552 147
 38 Pritchard Street, Lytton QLD 4178
 PO Box 83 Wynnum, Qld 4178
 Phn: 07 3393 3355 Fax: 07 3893 3515
 www.shutterconcepts.com.au email: info@shutterconcepts.com.au

SC/80-04