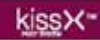
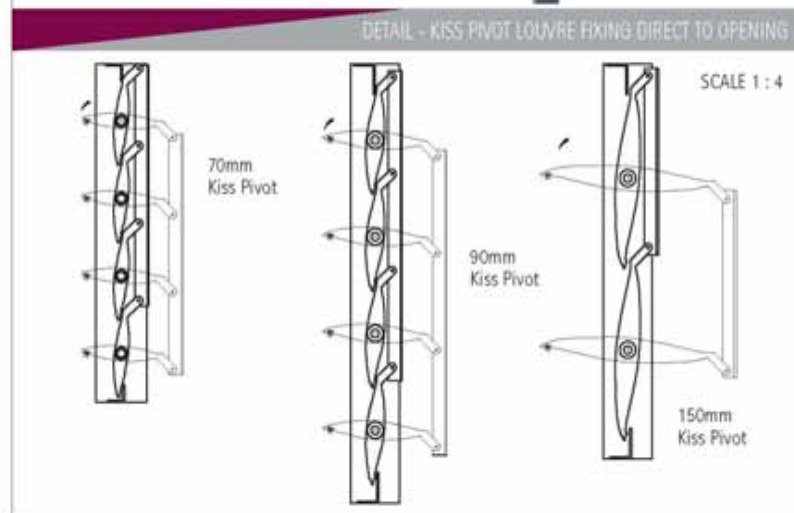
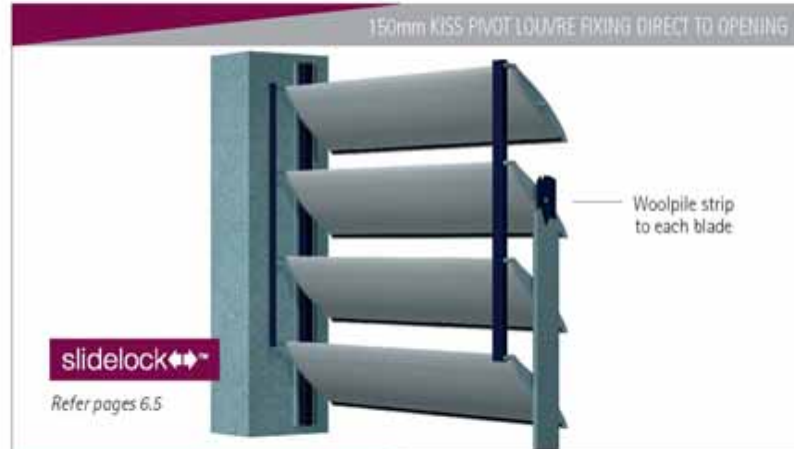


TECHNICAL DETAILS

150mm MIDI LOUVRE - KISS PIVOT SYSTEM



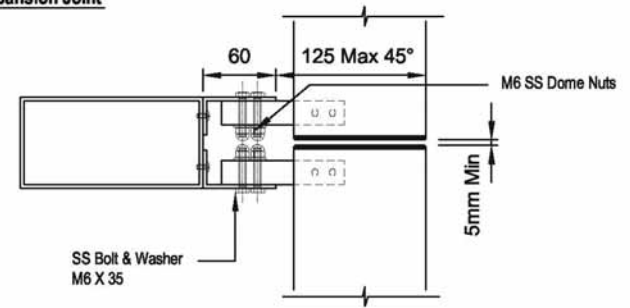
Refer pages 6.4-6.5



TYPICAL DETAIL - 150mm BRACKET FIXED MIDI LOUVRE BLADE

PLAN

Detail Showing Blades with Expansion Joint



END ELEVATION

